

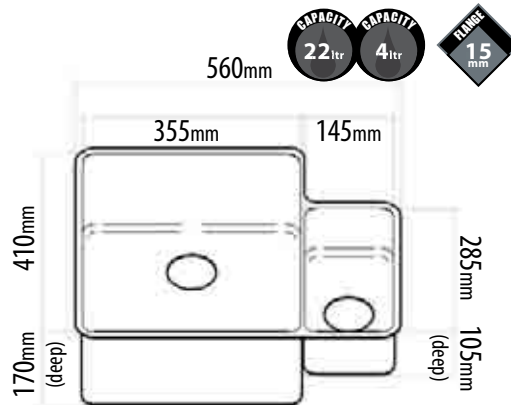
Cook

TRULY UNIQUE
DOUBLE BOWLS



CK218R DISPLAYED

CK218R MAIN & 1/4 BOWLS

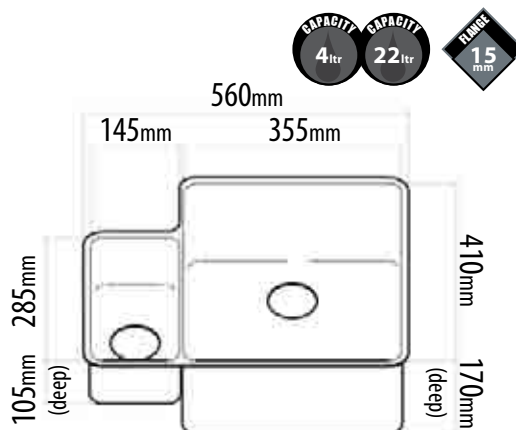


Features



- 90mm designer waste (2 inc)
- Rear waste position main bowl
Centre waste position small bowl
- 18/10 Stainless Steel @ 0.9mm
- 15mm low profile polished flange
- Unique mounting straps
- Not reversible

CK219L 1/4 & MAIN BOWLS

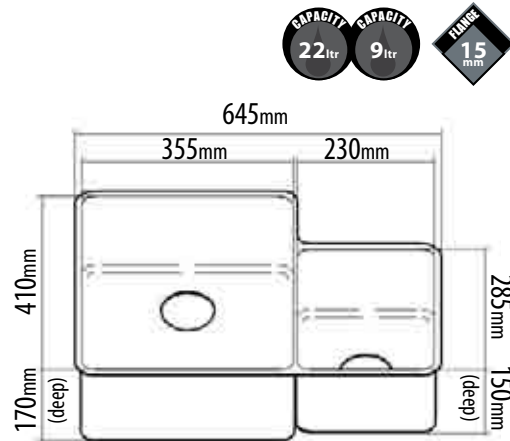


Features



- 90mm designer waste (2 inc)
- Rear waste position main bowl
Centre waste position small bowl
- 18/10 Stainless Steel @ 0.9mm
- 15mm low profile polished flange
- Unique mounting straps
- Not reversible

CK230R MAIN & 1/2 BOWLS

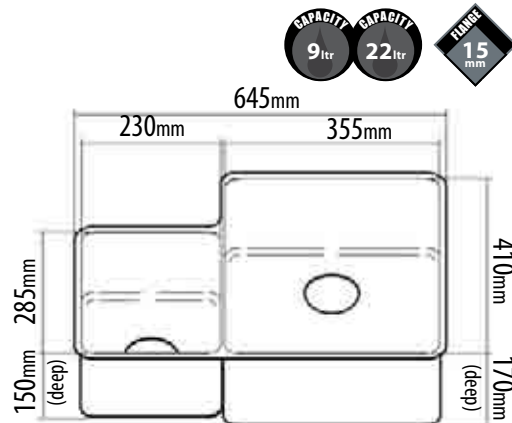


Features



- 90mm designer waste (2 inc)
- Rear waste position main bowl
Centre waste position small bowl
- 18/10 Stainless Steel @ 0.9mm
- 15mm low profile polished flange
- Unique mounting straps
- Not reversible

CK231L 1/2 & MAIN BOWLS

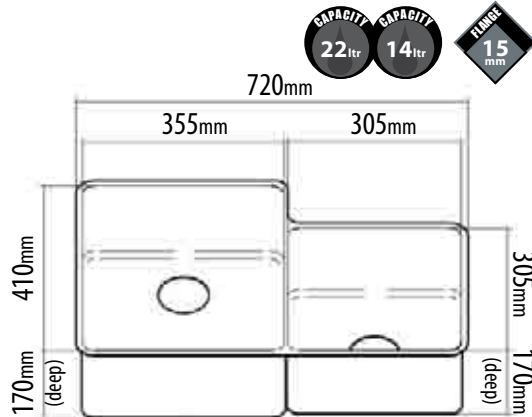


Features



- 90mm designer waste (2 inc)
- Rear waste position main bowl
Centre waste position small bowl
- 18/10 Stainless Steel @ 0.9mm
- 15mm low profile polished flange
- Unique mounting straps
- Not reversible

CK206R MAIN & 3/4 BOWLS

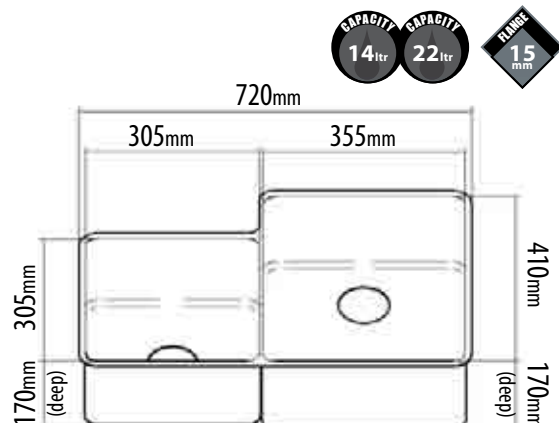


Features



- 90mm designer waste (2 inc)
- Rear waste position main bowl
Centre waste position small bowl
- 18/10 Stainless Steel @ 0.9mm
- 15mm low profile polished flange
- Unique mounting straps
- Not reversible

CK207L 3/4 & MAIN BOWLS

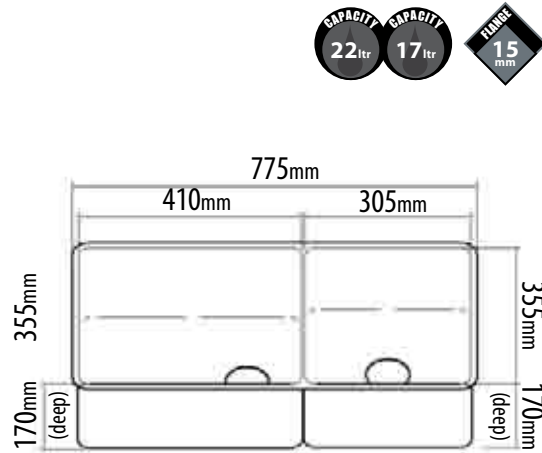


Features



- 90mm designer waste (2 inc)
- Rear waste position main bowl
Centre waste position small bowl
- 18/10 Stainless Steel @ 0.9mm
- 15mm low profile polished flange
- Unique mounting straps
- Not reversible

CK054 MAIN & MEDIUM BOWLS LONG

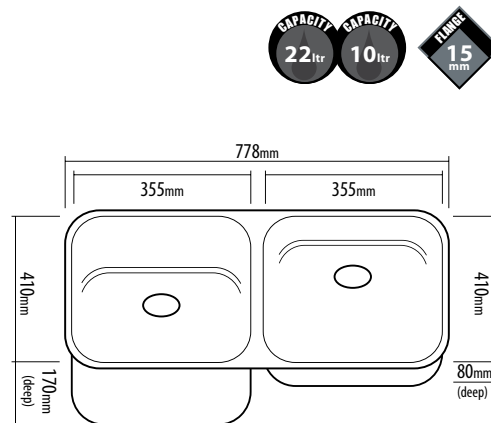


Features



- 90mm designer waste (2 inc)
- Inside centre waste position main bowl
- Centre waste position small bowl
- 18/10 Stainless Steel @ 0.9mm
- 15mm low profile polished flange
- Unique mounting straps
- Reversible

CK104 MAIN & PREP BOWLS

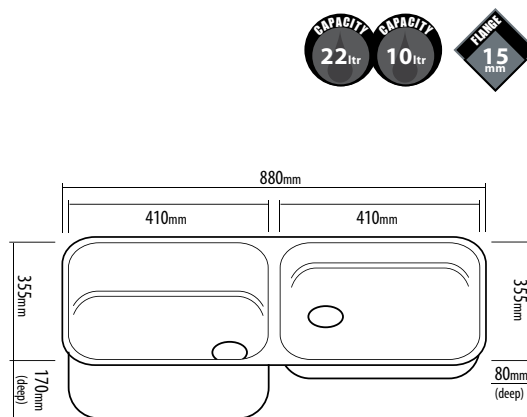


Features



- 90mm designer waste (2 inc)
- Rear waste position main bowl
- Rear waste position prep bowl
- 18/10 Stainless Steel @ 0.9mm
- 15mm low profile polished flange
- Unique mounting straps

CK020 MAIN & PREP BOWLS LONG

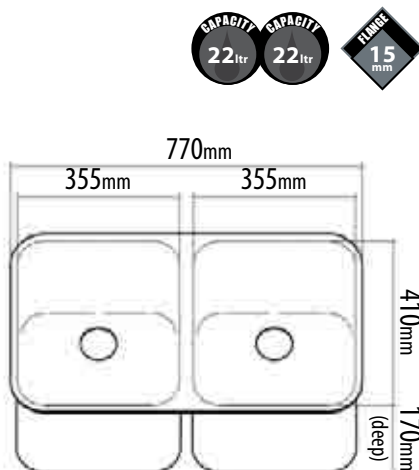


Features



- 90mm designer waste (2 inc)
- Inside centre waste position main bowl
- Inside centre waste position secondary bowl
- 18/10 Stainless Steel @ 0.9mm
- 15mm low profile polished flange
- Unique mounting straps
- Reversible

CK102 DOUBLE MAIN BOWLS

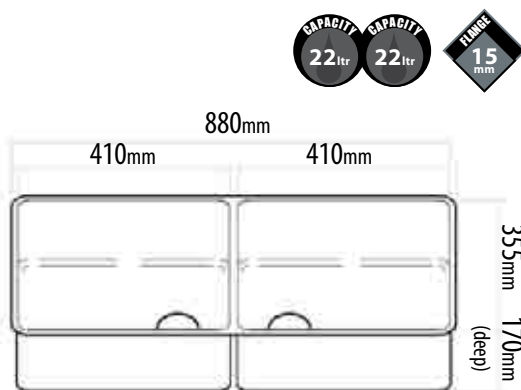


Features



- 90mm designer waste (2 inc)
- Rear waste position both bowls
- 18/10 Stainless Steel @ 0.9mm
- 15mm low profile polished flange
- Unique mounting straps

CK018 DOUBLE MAIN BOWLS LONG



Features



- 90mm designer waste (2 inc)
- Inside centre waste position both bowls
- 18/10 Stainless Steel @ 0.9mm
- 15mm low profile polished flange
- Unique mounting straps
- Reversible

Accessories

AD170



- Stainless Steel Dishrack
- 370 x 325 mm

AT140



- Mixer Mate: Protective benchtop substrate guard. To use with mixers/taps

AF145



- Oak food board
- 305mm x 305mm

AF147



- Oak food board
- 405mm x 354mm

AT006



- Acrylic/transparent Drainer Tray
- 440mmx360mm with 320mm wide lip

AT032



- Stainless Steel Drainer tray
- 440mm x 385mm